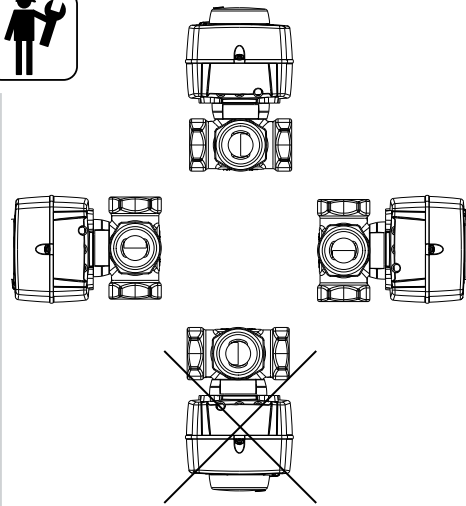
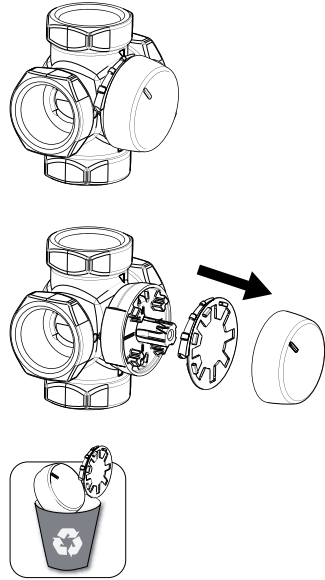
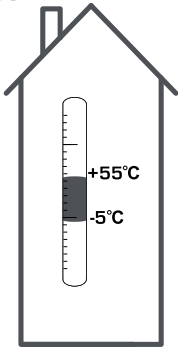


ESBE SERIES ARA600 2-Point



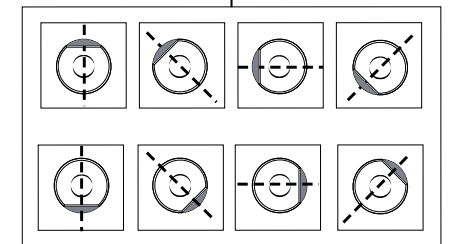
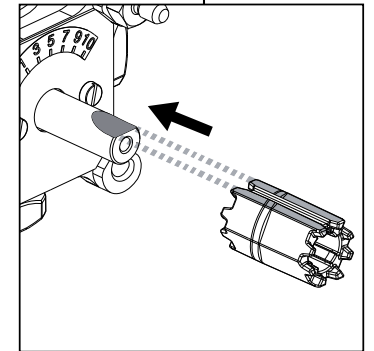
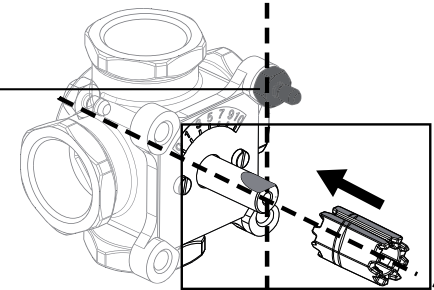
Series ARA635 - ARA638
 Series ARA645 - ARA648
 Series ARA655 - ARA658

CE
 LVD 2006/95/EC
 EMC 89/336/EEC
 RoHS 2002/95/EEC

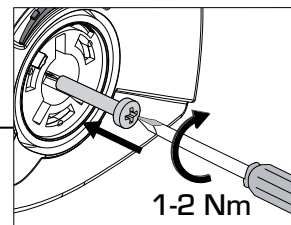
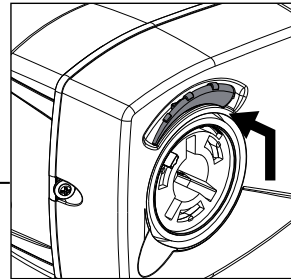
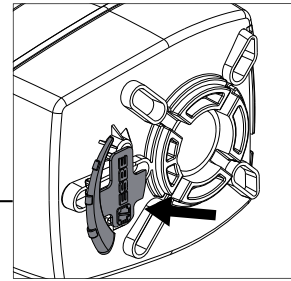
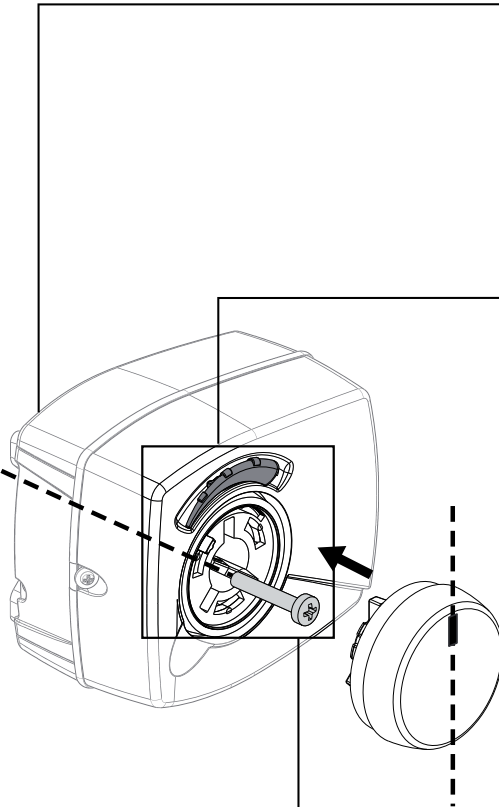
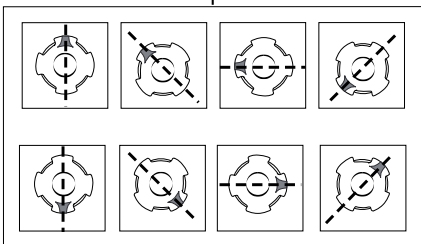
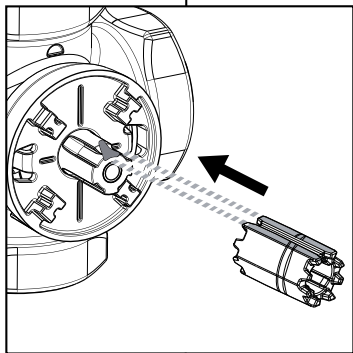
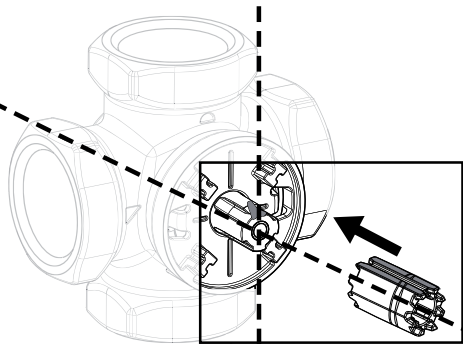


MG, G, F, H, HG, BIV, T, TM

	DN15-25	
	DN20-40	
	DN50	
	DN20-25	
	DN32-50	
	H: DN25	
	H: DN32-50	
	HG: DN25	
	DN20-22	
	DN25	
	T: DN20-32	
	TM: DN20	

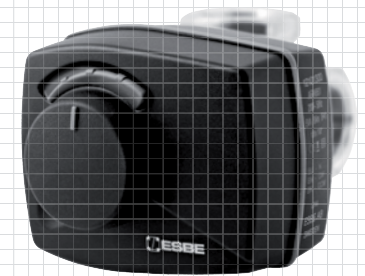


**VRG130, VRG140,
VRG230, VRG330**



www.esbe.se

Mtrl.nr. 9814 02 74 • Ritn.nr. 8080 utg. C • Rev.1008

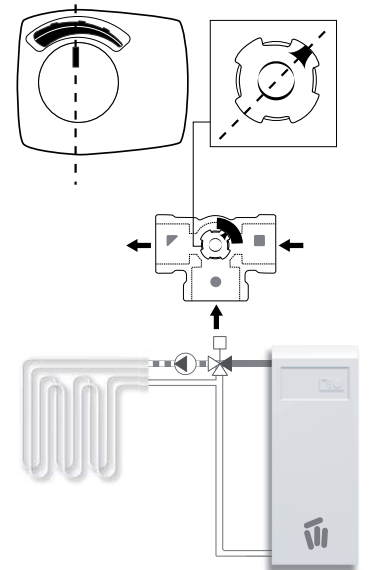
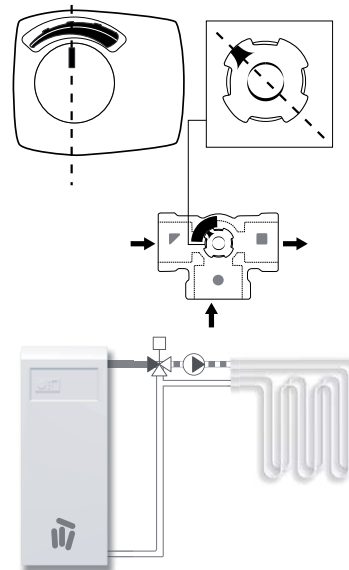
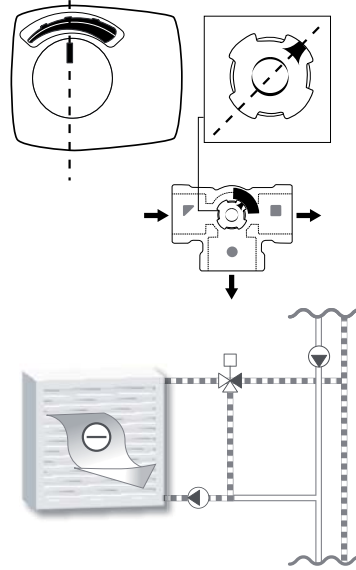
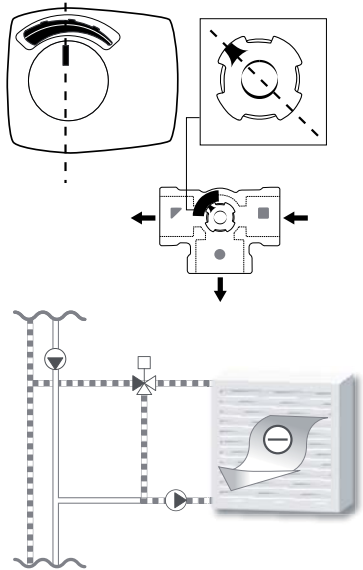
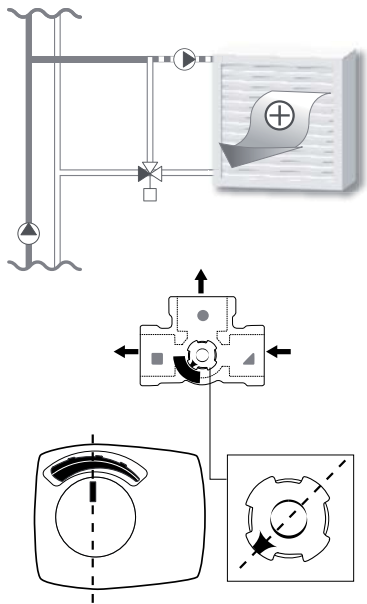
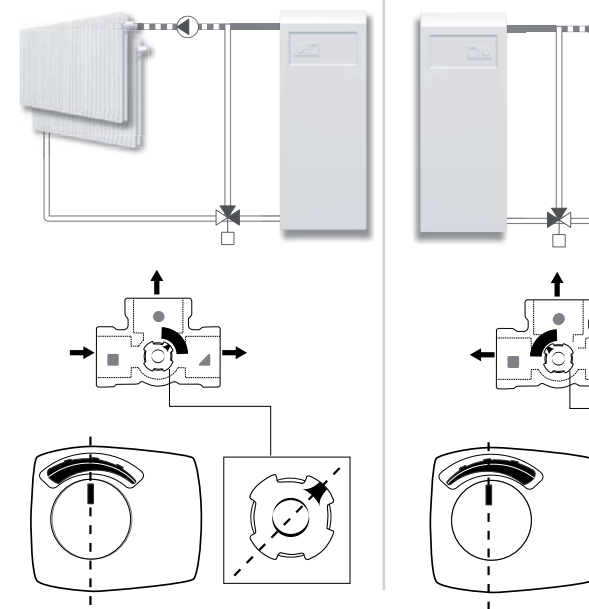
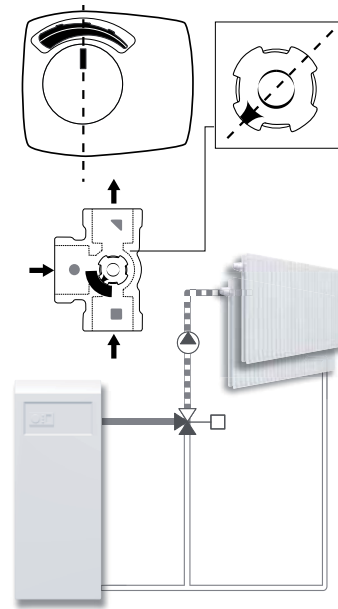
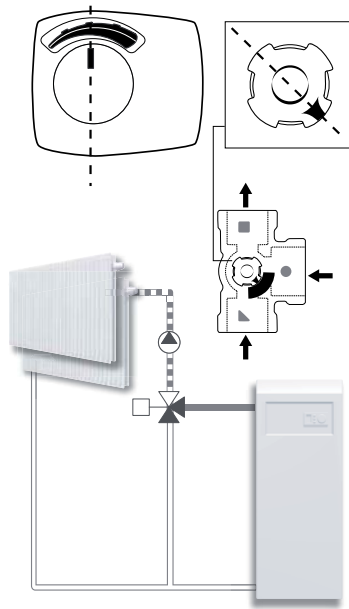
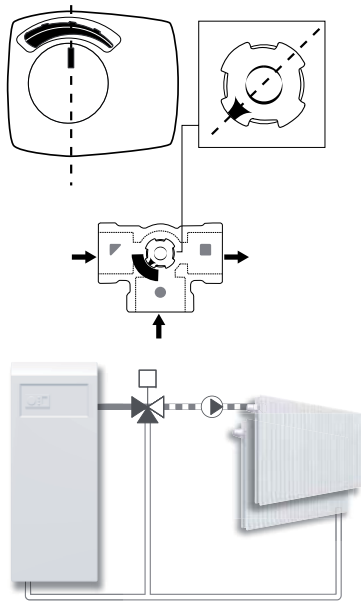
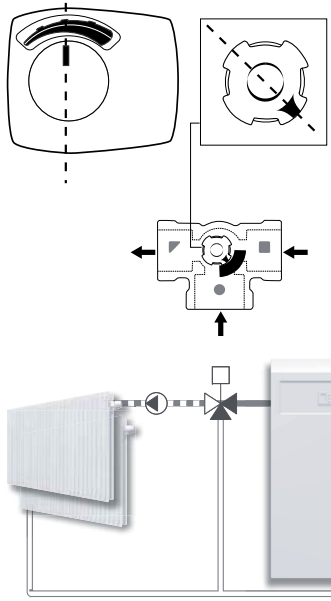


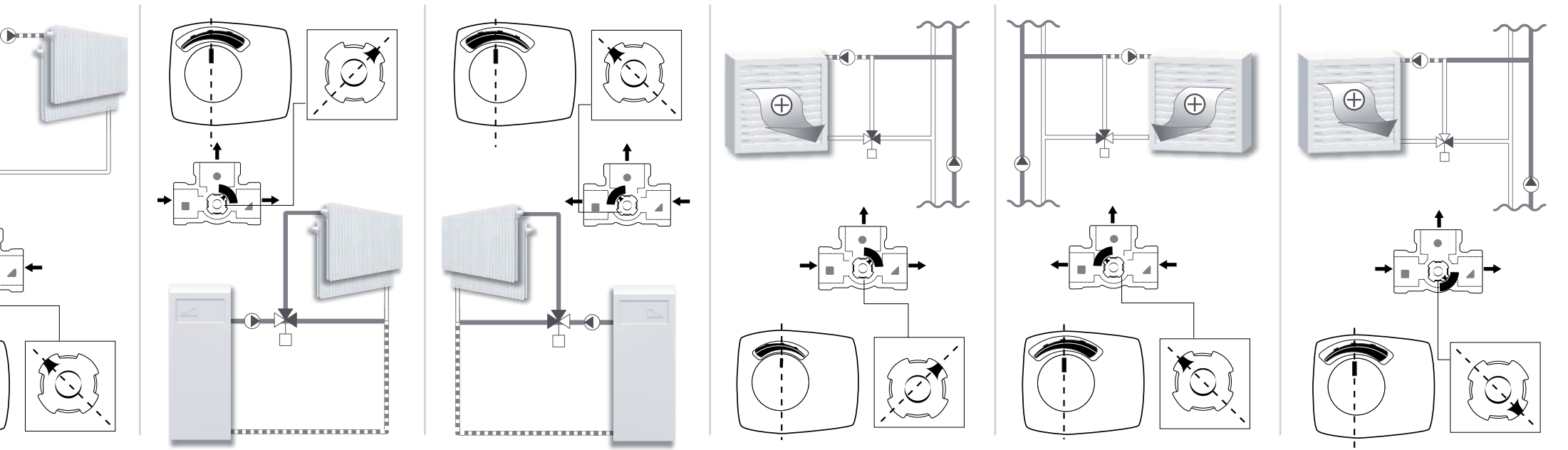
SERIES ARA600 2-Point



NO.1 IN HYDRONIC SYSTEM CONTROL

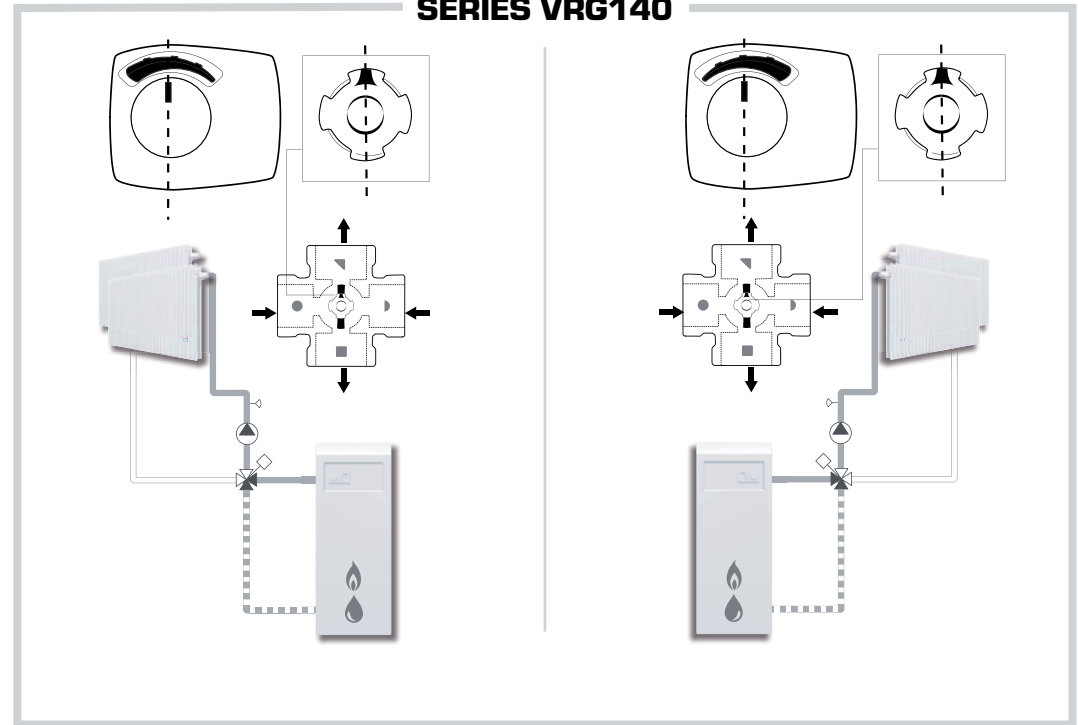
SERIES VRG130





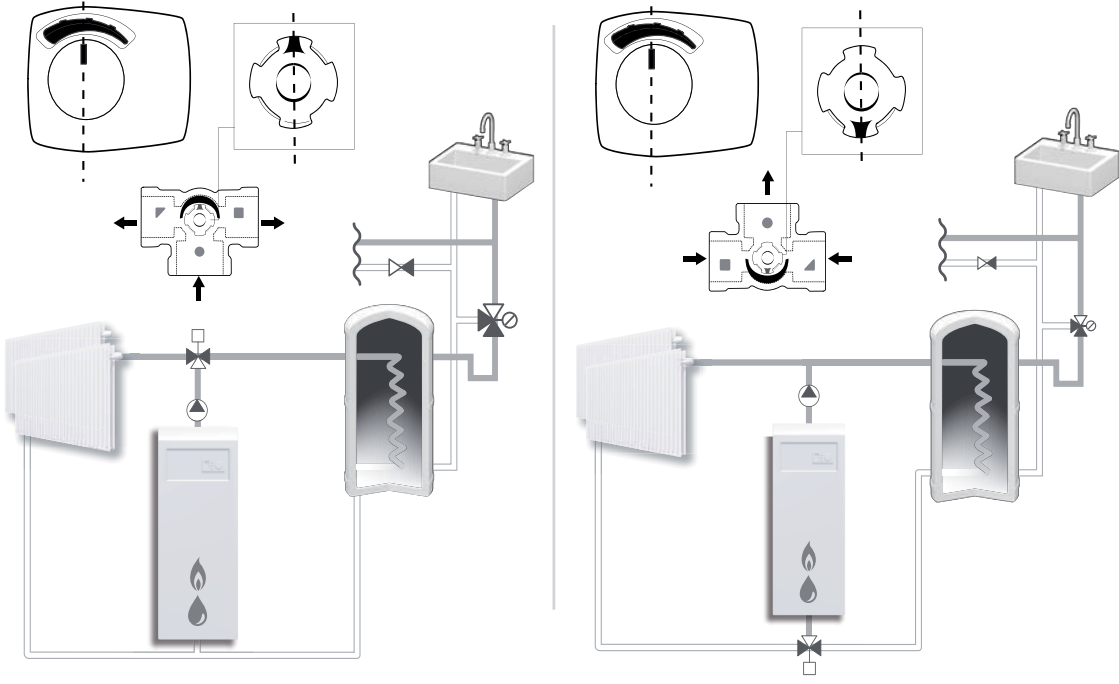
SERIES VRG130

SERIES VRG140

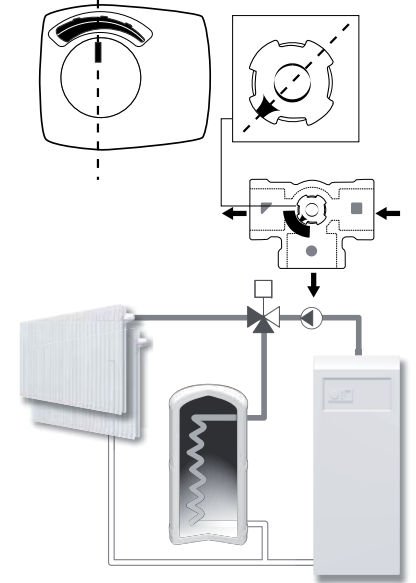
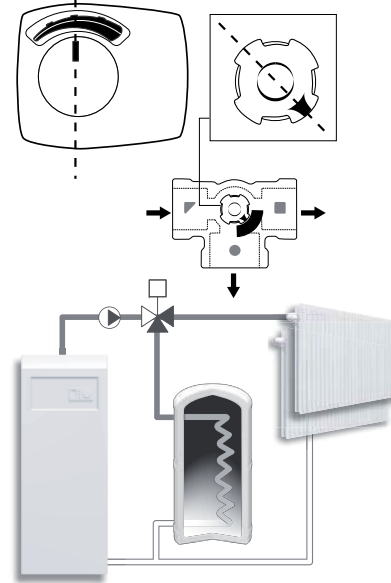
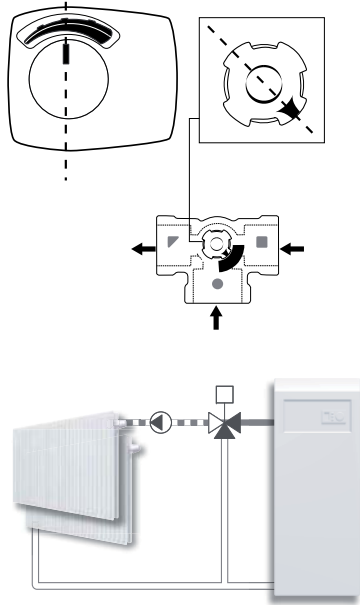
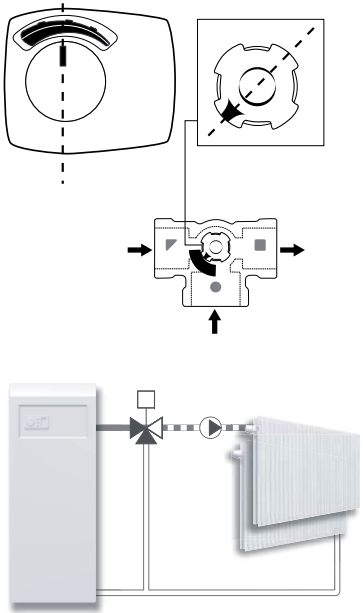


Piping Schematics are General Representations

SERIES VRG230

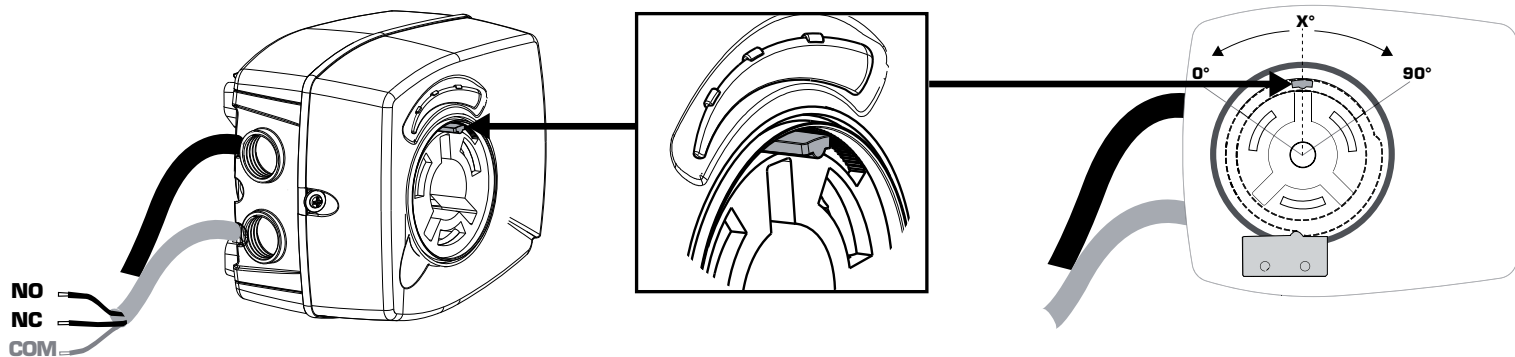


SERIES VRG330





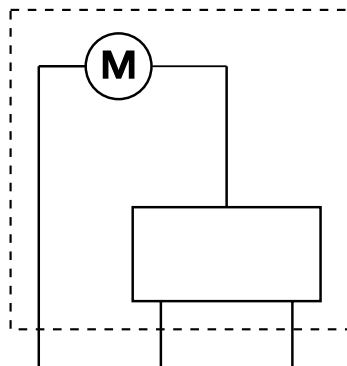
SERIES ARA636, ARA638, ARA646, ARA648, ARA656, ARA658



	0° - X°	X° - 90°
NO		
NC		
	X° = 45°	



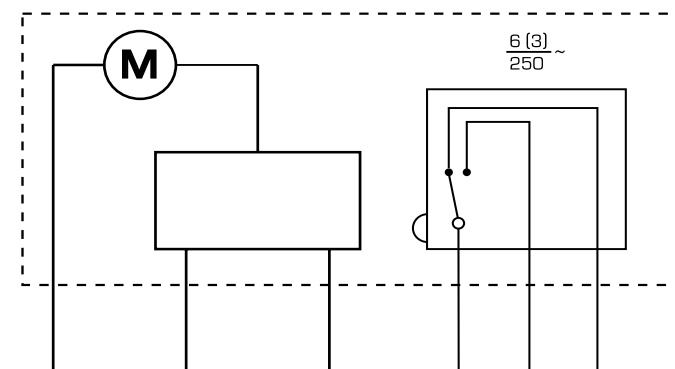
Series ARA635, ARA637, ARA645, ARA647, ARA655, ARA657



2points	N bu	Y bk	L bn
3points	N bu	CCW bk	CW bn



Series ARA636, ARA638, ARA646, ARA648, ARA656, ARA658



2points	N bu	Y bk	L bn	C wh	NO rd	NC og
3points	N bu	CCW bk	CW bn	C wh	NO rd	NC og



1



DIR

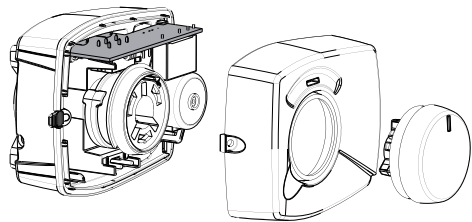
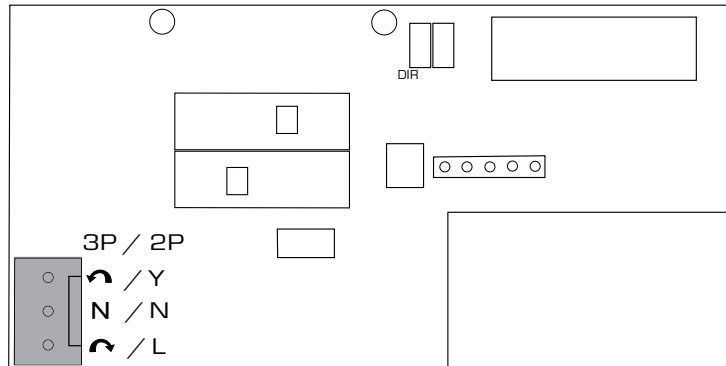
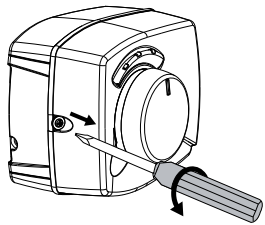
CCW



CW



2



2

1

